


MULTISPLIT

Indoor Units Nexya S4 E Multisplit


	INDOOR UNITS	
	OS-SENEH09EI	IU NEXYA S4 E INVERTER 9
	OS-SENEH12EI	IU NEXYA S4 E INVERTER 12
	OS-SECYH09EI	IU ALYAS E INVERTER 9
	OS-SECYH12EI	IU ALYAS E INVERTER 12
	OS-SEDDH09EI	IU NEXYA S4 E DUCT 9
	OS-SEDDH12EI	IU NEXYA S4 E DUCT 12
	OS-SEDIH18EI	IU NEXYA S4 E DUCT 18
	OS-SECPH12EI	IU NEXYA S4 E CASSETTE 12
	OS-SECIH12EI	IU NEXYA S4 E CASSETTE COMPACT 12
OS-SECIH18EI	IU NEXYA S4 E CASSETTE COMPACT 18	

Sezione del cavo di interconnessione tra Unità Esterna e
Unità Interna: 4 x 1 mm²

*Interconnecting cable section between Outdoor Unit and Indoor
Unit: 4 x 1 mm²*

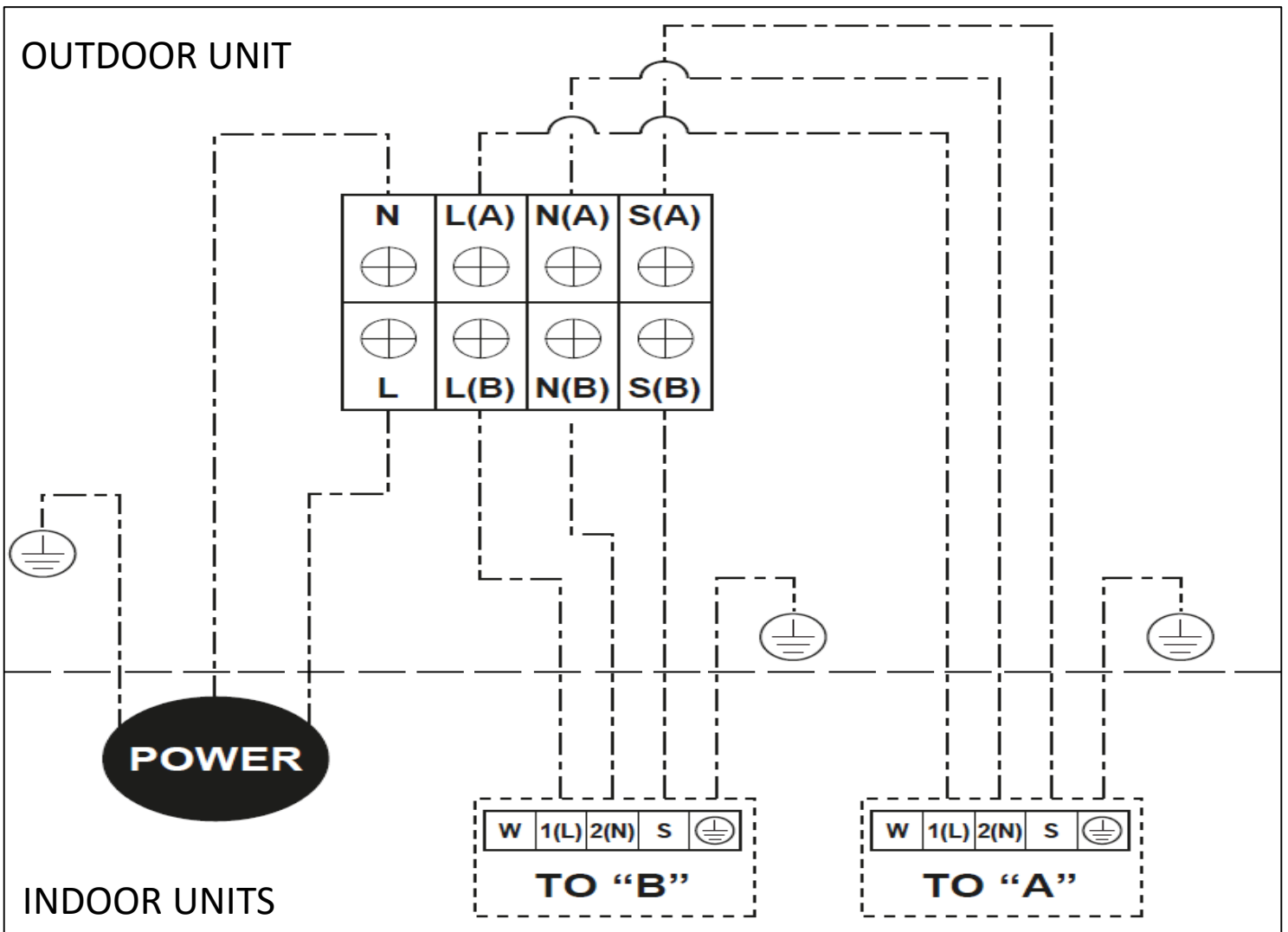
MULTISPLIT

Outdoor Units Nexya S4 E Dual Inverter 14-18

	OUTDOOR UNITS	
	OS-CEMYH14EI	OU NEXYA S4 E DUAL INVERTER 14
	OS-CEMYH18EI	OU NEXYA S4 E DUAL INVERTER 18


Sezione del cavo di alimentazione *Power supply cable section*

Outdoor Unit Model	Number of power supply cable poles	Minimum section of the electric power supply cable	Recommended fuse
DUAL 1 x 2	3	1.5 mm ²	12 A



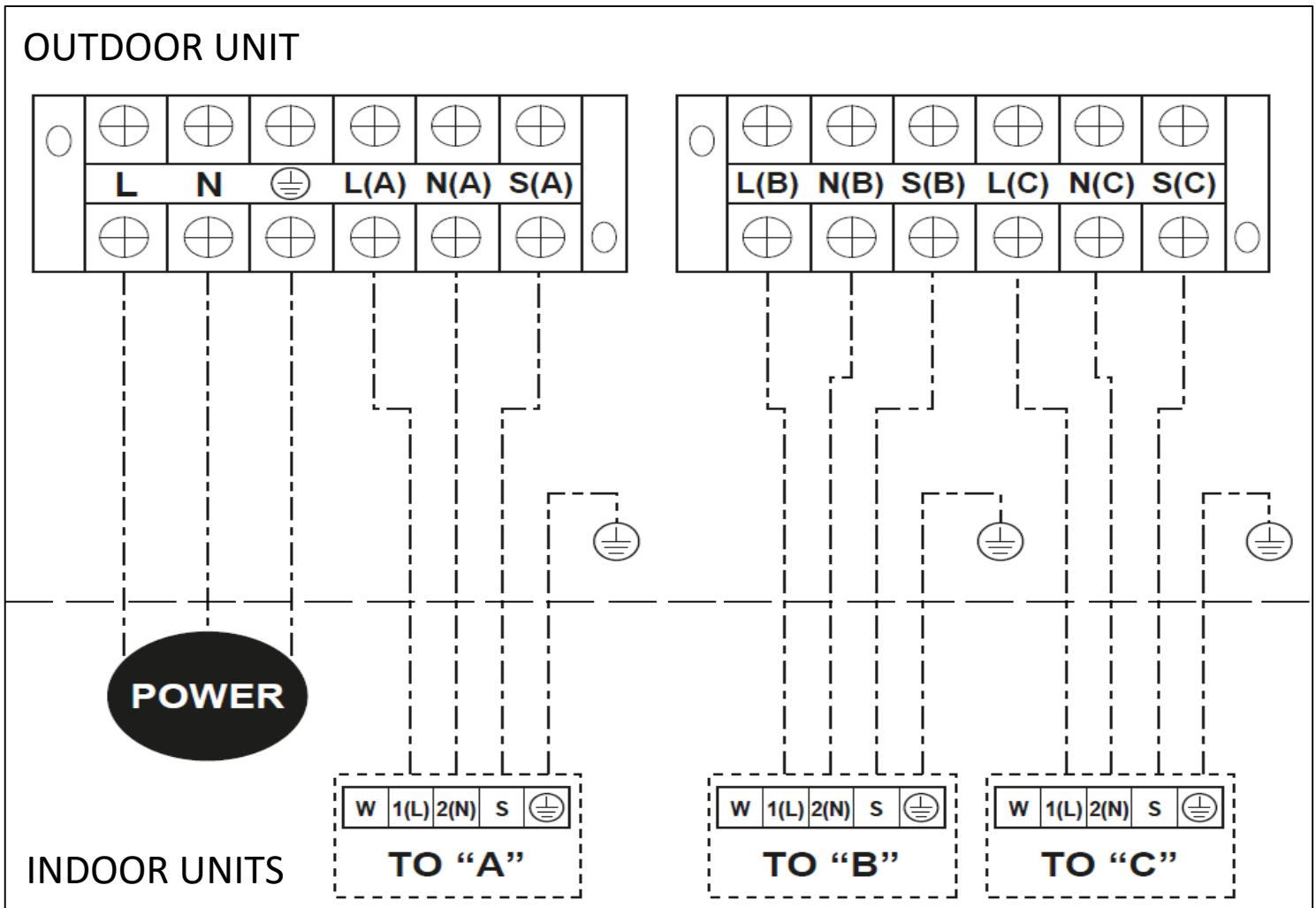
MULTISPLIT

Outdoor Units Nexya S4 E Trial Inverter 21-26

	OUTDOOR UNITS	
	OS-CEMYH21EI	OU NEXYA S4 E TRIAL INVERTER 21
	OS-CEMEH26EI	OU NEXYA S4 E TRIAL INVERTER 26


Sezione del cavo di alimentazione *Power supply cable section*

Outdoor Unit Model	Number of power supply cable poles	Minimum section of the electric power supply cable	Recommended fuse
TRIAL 1 x 3	3	1.5 mm ²	15 A



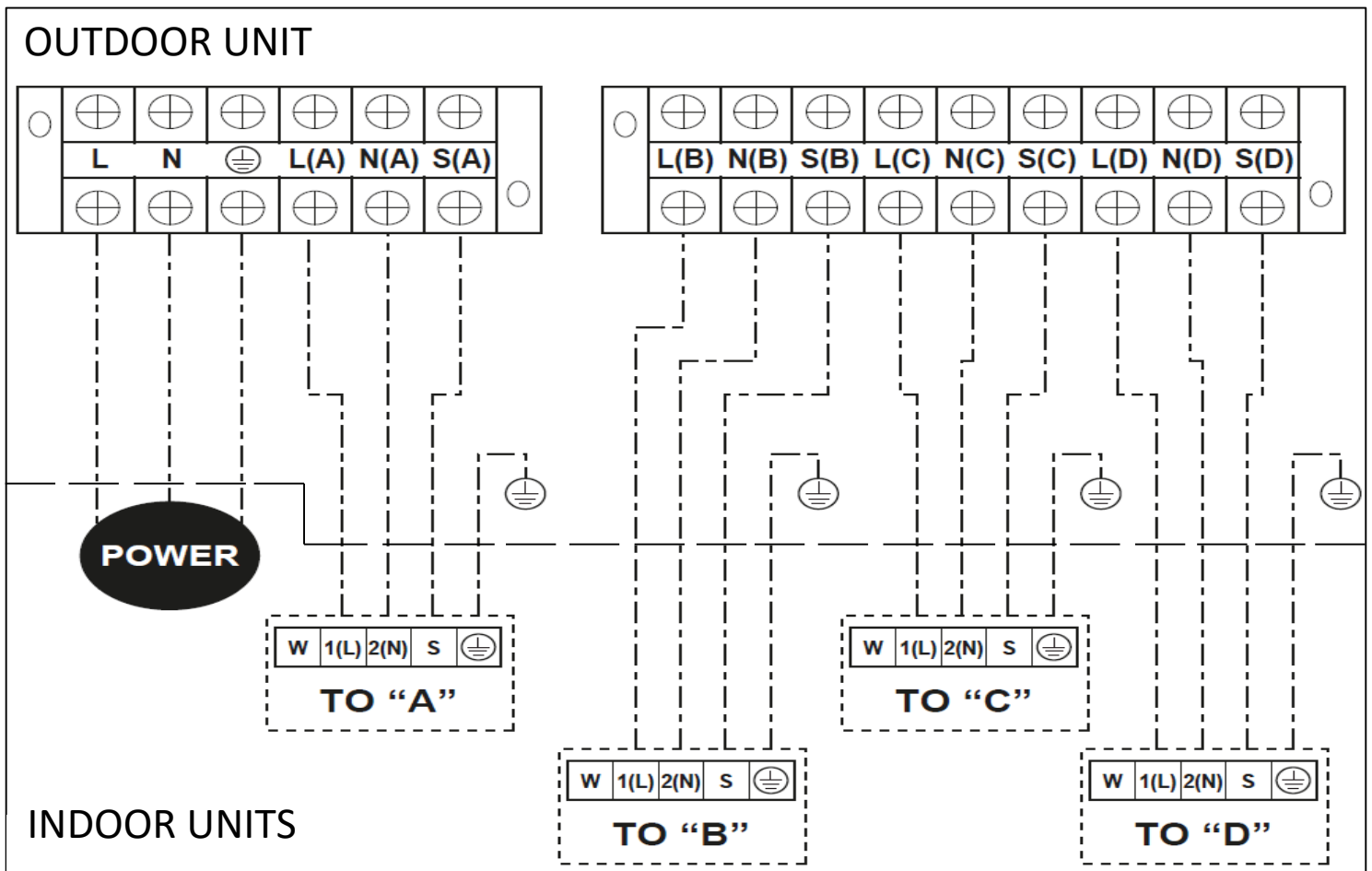
MULTISPLIT

Outdoor Units Nexya S4 E Quadri Inverter 28-36

	OUTDOOR UNITS	
	OS-CEMYH28EI	OU NEXYA S4 E QUADRI INVERTER 28
	OS-CEMEH36EI	OU NEXYA S4 E QUADRI INVERTER 36


Sezione del cavo di alimentazione
Power supply cable section

Outdoor Unit Model	Number of power supply cable poles	Minimum section of the electric power supply cable	Recommended fuse
QUADRI 1 x 4	3	2.5 mm ²	22 A



MULTISPLIT

Outdoor Units Nexya S4 E Penta Inverter 42

	OUTDOOR UNITS	
	OS-CEMEH42EI	OU NEXYA S4 E PENTA INVERTER 42

Sezione del cavo di alimentazione
Power supply cable section

Outdoor Unit Model	Number of power supply cable poles	Minimum section of the electric power supply cable	Recommended fuse
PENTA 1 x 5	3	3.0 mm ²	25 A

